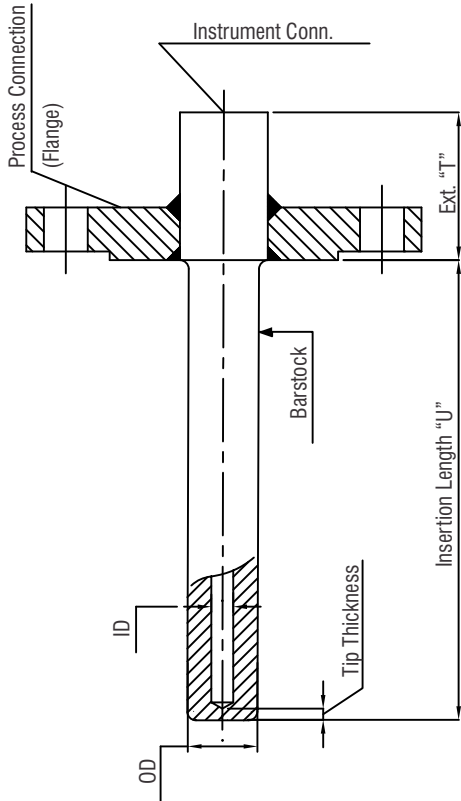


TW BF 01 - Barstock Flanged Type Thermowell (Straight)



	Other Options
0	None
1	Plug & Chain
2	IBR
3	Radiography Test (RT) for Bore Concentricity
4	Ultrasonic Test (UT) for Bore Concentricity
5	NACE to MR-01-75-/MR-01-03
6	Radiography Test (RT) for weld joints
7	Full penetration weld
8	PWHT
9	H2 Service
10	1 mm Ti sleeve
11	1 mm Ni sleeve
12	1 mm Hac sleeve
13	0.4 mm Ta sleeve
14	1 mm PTFE coating
15	1 mm zirconium oxide coating
16	0.5 mm Tungsten carbide coating
17	1 mm Tungsten carbide coating
18	1 mm stellite coating

TWBF - 01

Thermowell Material

S4S	SS304	825	Incoloy® 825
S6S	SS316	600	Inconel® 600
310	SS310	800	Incoloy® 800
446	SS446	321	SS321
S4L	SS304L	KAN	Kanthal
S6L	SS316L	HCC	Hastelloy® C-276
CST	CS	HCB	Hastelloy® B
410	SS410	MN4	Monel® 400
S7S	SS317	MN5	Monel® 500
S7L	SS317L	TI2	Ti-II
N20	Nickel 200		

**Special material on Request

Thermowell Head Dia

Pl. Specify in mm

Thermowell OD

Pl. Specify in mm

Bore ID

Pl. Specify in mm

Instrument Connection

THREADED - T					
Size	Code	Type	Code	M / F	Code
1/4"	06	NPS	NS	M	M
3/8"	10	NPT	NT	F	F
1/2"	15	BSP	BP		
3/4"	20	BSPT	BT		
1"	25	Gas	GS		
M20	M20	Pitch 1.5	C		

Process Connection

FLANGED - F					
Size	Code	Rating	Code	Facing	Code
1/2"	15	150	A	RF	RF
3/4"	20	300	B	FF	FF
1"	25	600	C	RTJ	RJ
1-1/2"	40	900	D	ST	ST
2"	50	1500	E	SG	SG
3"	80	2500	F	LT	LT
				LG	LG

Flange Material

S4S	SS304	825	Incoloy® 825
S6S	SS316	600	Inconel® 600
310	SS310	800	Incoloy® 800
446	SS446	321	SS321
S4L	SS304L	S6L	SS316L
CST	CS	HCC	Hastelloy® C-276
410	SS410	HCB	Hastelloy® B
S7S	SS317	MN4	Monel® 400
S7L	SS317L	MN5	Monel® 500
TI2	Ti-II	N20	Nickel 200

**Special material on Request

Insertion Length ("U")

Pl. Specify in mm

Extension Length ("T")

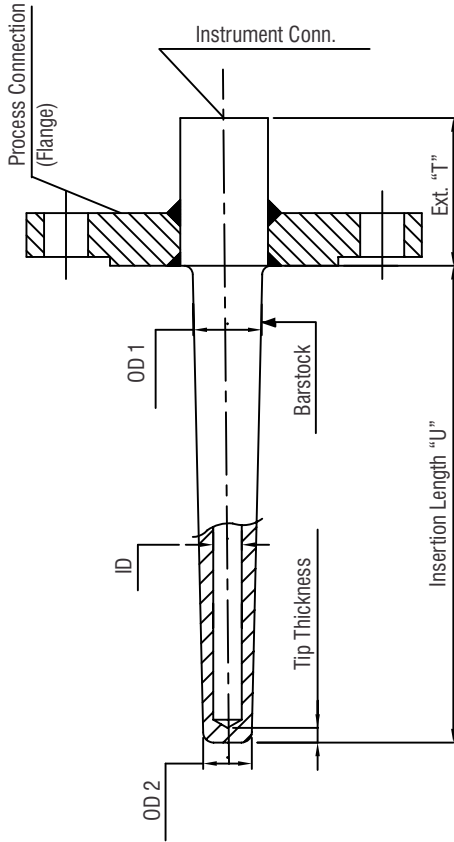
Pl. Specify in mm

Tip Thickness

Pl. Specify in mm

Ordering Example:- TWBF01-S6S-32-16-7-T15NTF-F25ARF-S6S-280-60-5-1

TW BF 02 - Barstock Flanged Type Thermowell (Taper)



Other Options	
0	None
1	Plug & Chain
2	IBR
3	Radiography Test (RT) for Bore Concentricity
4	Ultrasonic Test (UT) for Bore Concentricity
5	NACE to MR-01-75-/MR-01-03
6	Radiography Test (RT) for weld joints
7	Full penetration weld
8	PWHT
9	H2 Service
14	1 mm PTFE coating
15	1 mm zirconium oxide coating
16	0.5 mm Tungsten carbide coating
17	1 mm Tungsten carbide coating
18	1 mm stellite coating
19	Tapered for tail portion only (Pl. Specify length in mm)

TWBF - 02

Thermowell Material

S4S	SS304	825	Incoloy® 825
S6S	SS316	600	Inconel® 600
310	SS310	800	Incoloy® 800
446	SS446	321	SS321
S4L	SS304L	KAN	Kanthal
S6L	SS316L	HCC	Hastelloy® C-276
CST	CS	HCB	Hastelloy® B
410	SS410	MN4	Monel® 400
S7S	SS317	MN5	Monel® 500
S7L	SS317L	TI2	Ti-II
N20	Nickel 200		

**Special material on Request

Head Dia

Pl. Specify in mm

OD 1 (Cold End)

Pl. Specify in mm

OD 2 (Hot End)

Pl. Specify in mm

Bore ID

Pl. Specify in mm

Instrument Connection

THREADED - T					
Size	Code	Type	Code	M / F	Code
1/4"	06	NPS	NS	M	M
3/8"	10	NPT	NT	F	F
1/2"	15	BSP	BP		
3/4"	20	BSPT	BT		
1"	25	Gas	GS		
M20	M20	Pitch 1.5	C		

Process Connection

FLANGED - F					
Size	Code	Rating	Code	Facing	Code
1/2"	15	150	A	RF	RF
3/4"	20	300	B	FF	FF
1"	25	600	C	RTJ	RJ
1-1/2"	40	900	D	ST	ST
2"	50	1500	E	SG	SG
3"	80	2500	F	LT	LT
				LG	LG

Flange Material

S4S	SS304	825	Incoloy® 825
S6S	SS316	600	Inconel® 600
310	SS310	800	Incoloy® 800
446	SS446	321	SS321
S4L	SS304L	S6L	SS316L
CST	CS	HCC	Hastelloy® C-276
410	SS410	HCB	Hastelloy® B
S7S	SS317	MN4	Monel® 400
S7L	SS317L	MN5	Monel® 500
TI2	Ti-II	N20	Nickel 200

**Special material on Request

Insertion Length ("U")

Pl. Specify in mm

Extension Length ("T")

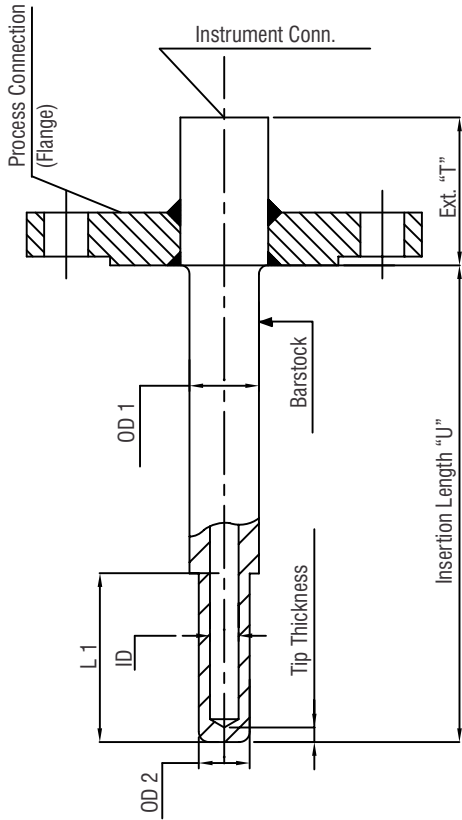
Pl. Specify in mm

Tip Thickness

Pl. Specify in mm

Ordering Example:- TWBF02-S6L-34-22-18-11-T15NTF-F40BRF-S6L-320-65.6-4-19(150)

TW BF 03 - Barstock Flanged Type Thermowell (Stepped)



Other Options	
0	None
1	Plug & Chain
2	IBR
3	Radiography Test (RT) for Bore Concentricity
4	Ultrasonic Test (UT) for Bore Concentricity
5	NACE to MR-01-75/-MR-01-03
6	Radiography Test (RT) for weld joints
7	Full penetration weld
8	PWHT
9	H2 Service
14	1 mm PTFE coating
16	0.5 mm Tungsten carbide coating
17	1 mm Tungsten carbide coating
18	1 mm stellite coating

TWBF - 03

Thermowell Material

S4S	SS304	825	Incoloy® 825
S6S	SS316	600	Inconel® 600
310	SS310	800	Incoloy® 800
446	SS446	321	SS321
S4L	SS304L	KAN	Kanthal
S6L	SS316L	HCC	Hastelloy® C-276
CST	CS	HCB	Hastelloy® B
410	SS410	MN4	Monel® 400
S7S	SS317	MN5	Monel® 500
S7L	SS317L	TI2	Ti-II
N20	Nickel 200		

**Special material on Request

Head Dia

Pl. Specify in mm

OD 1 (Cold End)

Pl. Specify in mm

OD 2 (Hot End)

Pl. Specify in mm

Bore ID

Pl. Specify in mm

Instrument Connection

THREADED - T					
Size	Code	Type	Code	M / F	Code
1/4"	06	NPS	NS	M	M
3/8"	10	NPT	NT	F	F
1/2"	15	BSP	BP		
3/4"	20	BSPT	BT		
1"	25	Gas	GS		
M20	M20	Pitch 1.5	C		

Process Connection

FLANGED - F					
Size	Code	Rating	Code	Facing	Code
1/2"	15	150	A	RF	RF
3/4"	20	300	B	FF	FF
1"	25	600	C	RTJ	RJ
1-1/2"	40	900	D	ST	ST
2"	50	1500	E	SG	SG
3"	80	2500	F	LT	LT
				LG	LG

Flange Material

S4S	SS304	825	Incoloy® 825
S6S	SS316	600	Inconel® 600
310	SS310	800	Incoloy® 800
446	SS446	321	SS321
S4L	SS304L	S6L	SS316L
CST	CS	HCC	Hastelloy® C-276
410	SS410	HCB	Hastelloy® B
S7S	SS317	MN4	Monel® 400
S7L	SS317L	MN5	Monel® 500
TI2	Ti-II	N20	Nickel 200

**Special material on Request

Insertion Length ("U")

Pl. Specify in mm

Stepped Length ("L1")

Pl. Specify in mm

Extension Length ("T")

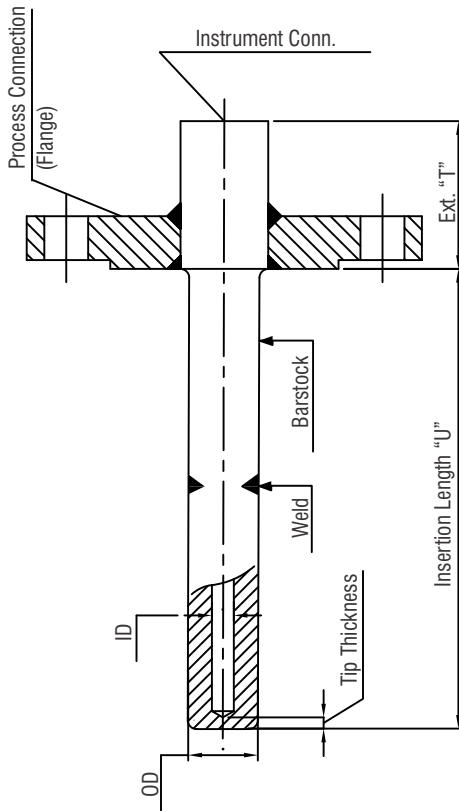
Pl. Specify in mm

Tip Thickness

Pl. Specify in mm

Ordering Example:- TWBF03-MN4-32-24-18-11-T15NTF-F40CRF-MN4-280-75-70-5-0

TW BF 04 - Multiple Barstock Flanged Type Thermowell



Other Options	
0	None
1	Plug & Chain
2	IBR
3	Radiography Test (RT) for Bore Concentricity
4	Ultrasonic Test (UT) for Bore Concentricity
5	NACE to MR-01-75/-MR-01-03
6	Radiography Test (RT) for weld joints
7	Full penetration weld
8	PWHT
9	H2 Service
10	1 mm Ti sleeve
11	1 mm Ni sleeve
12	1 mm Hac sleeve
13	0.4 mm Ta sleeve
14	1 mm PTFE coating
15	1 mm zirconium oxide coating
16	0.5 mm Tungsten carbide coating
17	1 mm Tungsten carbide coating
18	1 mm stellite coating

TWBF - 04

Thermowell Material	<input type="text"/>	<table border="1"> <tbody> <tr><td>S4S</td><td>SS304</td><td>825</td><td>Incoloy® 825</td></tr> <tr><td>S6S</td><td>SS316</td><td>600</td><td>Inconel® 600</td></tr> <tr><td>310</td><td>SS310</td><td>800</td><td>Incoloy® 800</td></tr> <tr><td>446</td><td>SS446</td><td>321</td><td>SS321</td></tr> <tr><td>S4L</td><td>SS304L</td><td>KAN</td><td>Kanthal</td></tr> <tr><td>S6L</td><td>SS316L</td><td>HCC</td><td>Hastelloy® C-276</td></tr> <tr><td>CST</td><td>CS</td><td>HCB</td><td>Hastelloy® B</td></tr> <tr><td>410</td><td>SS410</td><td>MN4</td><td>Monel® 400</td></tr> <tr><td>S7S</td><td>SS317</td><td>MN5</td><td>Monel® 500</td></tr> <tr><td>S7L</td><td>SS317L</td><td>TI2</td><td>Ti-II</td></tr> <tr><td>N20</td><td colspan="3">Nickel 200</td></tr> <tr><td colspan="4">**Special material on Request</td></tr> </tbody> </table>	S4S	SS304	825	Incoloy® 825	S6S	SS316	600	Inconel® 600	310	SS310	800	Incoloy® 800	446	SS446	321	SS321	S4L	SS304L	KAN	Kanthal	S6L	SS316L	HCC	Hastelloy® C-276	CST	CS	HCB	Hastelloy® B	410	SS410	MN4	Monel® 400	S7S	SS317	MN5	Monel® 500	S7L	SS317L	TI2	Ti-II	N20	Nickel 200			**Special material on Request									
S4S	SS304	825	Incoloy® 825																																																					
S6S	SS316	600	Inconel® 600																																																					
310	SS310	800	Incoloy® 800																																																					
446	SS446	321	SS321																																																					
S4L	SS304L	KAN	Kanthal																																																					
S6L	SS316L	HCC	Hastelloy® C-276																																																					
CST	CS	HCB	Hastelloy® B																																																					
410	SS410	MN4	Monel® 400																																																					
S7S	SS317	MN5	Monel® 500																																																					
S7L	SS317L	TI2	Ti-II																																																					
N20	Nickel 200																																																							
**Special material on Request																																																								
Thermowell Head Dia	<input type="text"/>	Pl. Specify in mm																																																						
Thermowell OD	<input type="text"/>	Pl. Specify in mm																																																						
Bore ID	<input type="text"/>	Pl. Specify in mm																																																						
Instrument Connection	<input type="text"/>	<table border="1"> <thead> <tr><th colspan="6">THREADED - T</th></tr> <tr><th>Size</th><th>Code</th><th>Type</th><th>Code</th><th>M / F</th><th>Code</th></tr> </thead> <tbody> <tr><td>1/4"</td><td>06</td><td>NPS</td><td>NS</td><td>M</td><td>M</td></tr> <tr><td>3/8"</td><td>10</td><td>NPT</td><td>NT</td><td>F</td><td>F</td></tr> <tr><td>1/2"</td><td>15</td><td>BSP</td><td>BP</td><td></td><td></td></tr> <tr><td>3/4"</td><td>20</td><td>BSPT</td><td>BT</td><td></td><td></td></tr> <tr><td>1"</td><td>25</td><td>Gas</td><td>GS</td><td></td><td></td></tr> <tr><td>M20</td><td>M20</td><td>Pitch 1.5</td><td>C</td><td></td><td></td></tr> </tbody> </table>	THREADED - T						Size	Code	Type	Code	M / F	Code	1/4"	06	NPS	NS	M	M	3/8"	10	NPT	NT	F	F	1/2"	15	BSP	BP			3/4"	20	BSPT	BT			1"	25	Gas	GS			M20	M20	Pitch 1.5	C								
THREADED - T																																																								
Size	Code	Type	Code	M / F	Code																																																			
1/4"	06	NPS	NS	M	M																																																			
3/8"	10	NPT	NT	F	F																																																			
1/2"	15	BSP	BP																																																					
3/4"	20	BSPT	BT																																																					
1"	25	Gas	GS																																																					
M20	M20	Pitch 1.5	C																																																					
Process Connection	<input type="text"/>	<table border="1"> <thead> <tr><th colspan="6">FLANGED - F</th></tr> <tr><th>Size</th><th>Code</th><th>Rating</th><th>Code</th><th>Facing</th><th>Code</th></tr> </thead> <tbody> <tr><td>1/2"</td><td>15</td><td>150</td><td>A</td><td>RF</td><td>RF</td></tr> <tr><td>3/4"</td><td>20</td><td>300</td><td>B</td><td>FF</td><td>FF</td></tr> <tr><td>1"</td><td>25</td><td>600</td><td>C</td><td>RTJ</td><td>RJ</td></tr> <tr><td>1-1/2"</td><td>40</td><td>900</td><td>D</td><td>ST</td><td>ST</td></tr> <tr><td>2"</td><td>50</td><td>1500</td><td>E</td><td>SG</td><td>SG</td></tr> <tr><td>3"</td><td>80</td><td>2500</td><td>F</td><td>LT</td><td>LT</td></tr> <tr><td></td><td></td><td></td><td></td><td>LG</td><td>LG</td></tr> </tbody> </table>	FLANGED - F						Size	Code	Rating	Code	Facing	Code	1/2"	15	150	A	RF	RF	3/4"	20	300	B	FF	FF	1"	25	600	C	RTJ	RJ	1-1/2"	40	900	D	ST	ST	2"	50	1500	E	SG	SG	3"	80	2500	F	LT	LT					LG	LG
FLANGED - F																																																								
Size	Code	Rating	Code	Facing	Code																																																			
1/2"	15	150	A	RF	RF																																																			
3/4"	20	300	B	FF	FF																																																			
1"	25	600	C	RTJ	RJ																																																			
1-1/2"	40	900	D	ST	ST																																																			
2"	50	1500	E	SG	SG																																																			
3"	80	2500	F	LT	LT																																																			
				LG	LG																																																			
Flange Material	<input type="text"/>	<table border="1"> <tbody> <tr><td>S4S</td><td>SS304</td><td>825</td><td>Incoloy® 825</td></tr> <tr><td>S6S</td><td>SS316</td><td>600</td><td>Inconel® 600</td></tr> <tr><td>310</td><td>SS310</td><td>800</td><td>Incoloy® 800</td></tr> <tr><td>446</td><td>SS446</td><td>321</td><td>SS321</td></tr> <tr><td>S4L</td><td>SS304L</td><td>S6L</td><td>SS316L</td></tr> <tr><td>CST</td><td>CS</td><td>HCC</td><td>Hastelloy® C-276</td></tr> <tr><td>410</td><td>SS410</td><td>HCB</td><td>Hastelloy® B</td></tr> <tr><td>S7S</td><td>SS317</td><td>MN4</td><td>Monel® 400</td></tr> <tr><td>S7L</td><td>SS317L</td><td>MN5</td><td>Monel® 500</td></tr> <tr><td>TI2</td><td>Ti-II</td><td>N20</td><td>Nickel 200</td></tr> <tr><td colspan="4">**Special material on Request</td></tr> </tbody> </table>	S4S	SS304	825	Incoloy® 825	S6S	SS316	600	Inconel® 600	310	SS310	800	Incoloy® 800	446	SS446	321	SS321	S4L	SS304L	S6L	SS316L	CST	CS	HCC	Hastelloy® C-276	410	SS410	HCB	Hastelloy® B	S7S	SS317	MN4	Monel® 400	S7L	SS317L	MN5	Monel® 500	TI2	Ti-II	N20	Nickel 200	**Special material on Request													
S4S	SS304	825	Incoloy® 825																																																					
S6S	SS316	600	Inconel® 600																																																					
310	SS310	800	Incoloy® 800																																																					
446	SS446	321	SS321																																																					
S4L	SS304L	S6L	SS316L																																																					
CST	CS	HCC	Hastelloy® C-276																																																					
410	SS410	HCB	Hastelloy® B																																																					
S7S	SS317	MN4	Monel® 400																																																					
S7L	SS317L	MN5	Monel® 500																																																					
TI2	Ti-II	N20	Nickel 200																																																					
**Special material on Request																																																								
Insertion Length ("U")	<input type="text"/>	Pl. Specify in mm																																																						
Extension Length ("T")	<input type="text"/>	Pl. Specify in mm																																																						
Tip Thickness	<input type="text"/>	Pl. Specify in mm																																																						

Ordering Example:- TWBF04-S6S-32-16-7-T15NTF-F25ARF-S6S-800-50-5-0