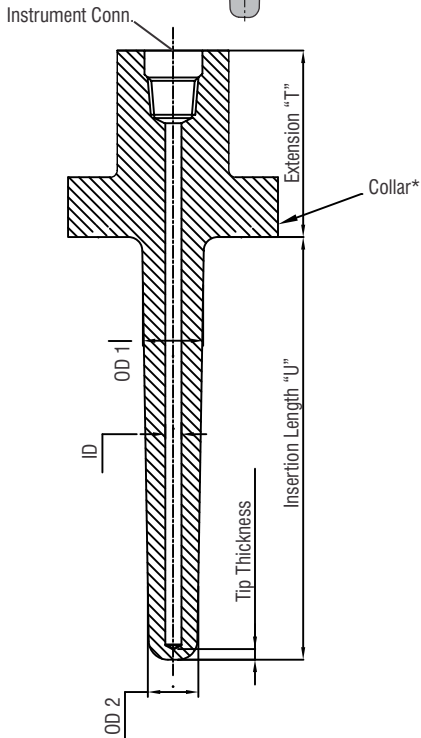
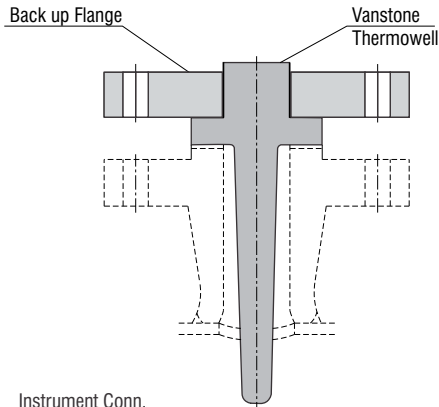


TW BV 01 - Vanstone Type Thermowell



* Collar OD shall be same as RF Dia of Back up Flange

	Other Options
0	None
1	Plug & Chain
2	IBR
3	Radiography Test (RT) for Bore Concentricity
4	Ultrasonic Test (UT) for Bore Concentricity
5	NACE to MR-01-75/-MR-01-03

TWBV - 01

Thermowell Material

S4S	SS304	825	Incoloy® 825
S6S	SS316	600	Inconel® 600
310	SS310	800	Incoloy® 800
446	SS446	321	SS321
S4L	SS304L	KAN	Kanthal
S6L	SS316L	HCC	Hastelloy® C-276
CST	CS	HCB	Hastelloy® B
410	SS410	MN4	Monel® 400
S7S	SS317	MN5	Monel® 500
S7L	SS317L	TI2	Ti-II
N20	Nickel 200		

**Special material on Request

OD 1 (Cold End)

Pl. Specify in mm

OD 2 (Hot End)

Pl. Specify in mm

Bore ID

Pl. Specify in mm

Instrument Connection

THREADED - T					
Size	Code	Type	Code	M / F	Code
1/4"	06	NPS	NS	M	M
3/8"	10	NPT	NT	F	F
1/2"	15	BSP	BP		
3/4"	20	BSPT	BT		
1"	25	Gas	GS		
M20	M20	Pitch 1.5	C		

Process Connection

FLANGED - F					
Size	Code	Rating	Code	Facing	Code
1-1/2"	40	150	A	RF	RF
2"	50	300	B	FF	FF
3"	80	600	C	RTJ	RJ
		900	D	ST	ST
		1500	E	SG	SG
		2500	F	LT	LT
				LG	LG

Back up Flange Material

S4S	SS304	825	Incoloy® 825
S6S	SS316	600	Inconel® 600
310	SS310	800	Incoloy® 800
446	SS446	321	SS321
S4L	SS304L	S6L	SS316L
CST	CS	HCC	Hastelloy® C-276
410	SS410	HCB	Hastelloy® B
S7S	SS317	MN4	Monel® 400
S7L	SS317L	MN5	Monel® 500
TI2	Ti-II	N20	Nickel 200

**Special material on Request

Insertion Length ("U")

Pl. Specify in mm

Extension Length ("T")

Pl. Specify in mm

Tip Thickness

Pl. Specify in mm

Ordering Example:- TWBV01-S6L-30-18-7-T15NTF-50BRF-CST-255-50-5-0