

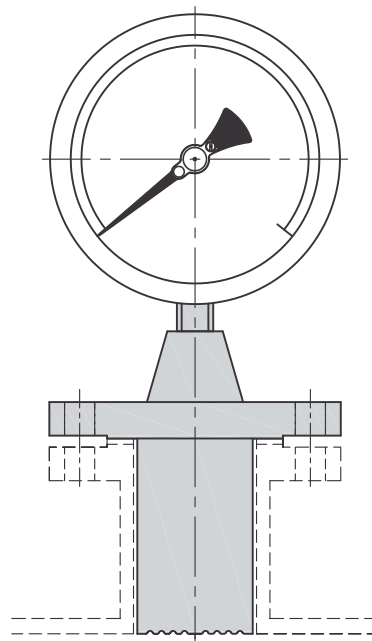
Extended Diaphragm Seal

General

MODEL : CSU-EDS

Features

Extended Diaphragm Seal is mounted on the Nozzle Flange of the Process Pipe line. The diaphragm is extended to the process media through the Nozzle. The length and diameter of the extension is decided as per the process requirement and nozzle diameter. The diaphragm is directly extended through the Nozzle and preventing clogging or other obstructions in the connection nozzle. Extended Diaphragm Seals are Suitable for corrosive, highly viscous, crystallizing or hot pressure media.



Optional Feature

- **Cooling Tower**
- **Capillary** for Remote mounting of the Pressure Instrument
- **Stud / Nut & Gasket** for assembling the Diaphragm Seal with Process Flange.

Note: This catalogue indicates the general specifications used for most of the process applications. Any other specification not appearing here also can be provided as per customer requirement.

Ordering Information

EXTENDED DIAPHRAGM SEAL (Flanged Connection)

MODEL: CSU- [] [] [] [] [] [] []

CONNECTION TYPE

EDS Extended Diaphragm Seal

FLANGE

S6S SS 316 **HCB** Hastelloy B
S6L SS 316L **HCC** Hastelloy C
321 SS 321 **N20** Nickel 200
TTM Titanium **MN4** Monel 400
N20 Nickel 200 **XXX** Other (Please Specify)

DIAPHRAGM

S6S SS 316 **HCB** Hastelloy B
S6L SS 316L **HCC** Hastelloy C
321 SS 321 **N20** Nickel 200
TTM Titanium **MN4** Monel 400
N20 Nickel 200 **XXX** Other (Please Specify)

EXTENSION UNIT

S6S SS 316 **HCB** Hastelloy B
S6L SS 316L **HCC** Hastelloy C
321 SS 321 **N20** Nickel 200
TTM Titanium **MN4** Monel 400
N20 Nickel 200 **XXX** Other (Please Specify)

OPTION

4AR(*) SS 316 Capillary, SS 304 Armoured
4PV(*) SS 316 Capillary, SS 304 Armoured+PVC Covered
6AR(*) SS 316 Capillary, SS 316 Armoured
6PV(*) SS 316 Capillary, SS 316 Armoured+PVC Covered
CLT Cooling Tower
GSK Gasket
STN Stud & Nuts
L Nil
XXX Other (Please specify)

* Specify the length of Capillary in Meters.

FILLING FLUID

DC1 DC-710
DC2 Silicone Oil (DC-200)
DC4 DC-704
DC5 DC-705
FLU Fluorolube
GLY Glycerine
HLC Halocarbon
VGO Food grade oil
XXX Other (Please specify)

PROCESS CONNECTION

FLANGED

CONN	CODE	SIZE	CODE	RATING	CODE	FACING	CODE
Flange	F	1-1/2"	40	150	A	RF	RF
		2"	50	300	B	FF	FF
		3"	80	600	C	RTJ	RJ
		4"	10	900	D		
				1500	E		
				2500	F		

e.g. For 100 NB 150# RF flange, Model Code: **F10ARF**

Sample model Code: **CSU-EDS-S6S-S6S-S6S-F80ARF-DC2-L**