

POINTER PULLER & FIXER KIT

Requirement of International Quantity Standard ISO-9001:2008, calls for proper maintenance and periodic calibration of the measuring instruments. For Dial type Gauges, this may require removal of the Glass, unscrewing of the dial and removal & re-fixing of the Pointer. Use of hand is not advisable for removing and fixing the pointer. Pointer Puller (Extractor) and Pointer Fixer (Pneumatic Hammer) are to be used for this purpose.

The Pointer Puller & Fixer Kit contains one Pneumatic Hammer (Pointer Fixer) and 3 Pointer Pullers having central pin of different diameters (i.e., 0.7 mm, 1 mm & 1.2 mm)

The recommended procedure for pointer removal and fixing, which is followed internationally is given overleaf.



Ordering Information

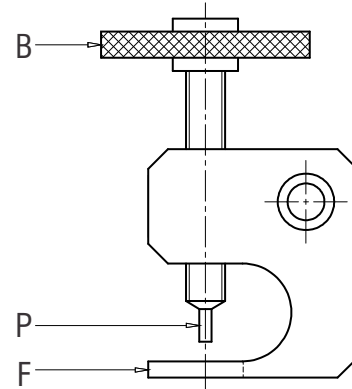
To be ordered as "POINTER PULLER & FIXER KIT"

POINTER PULLER & FIXER KIT

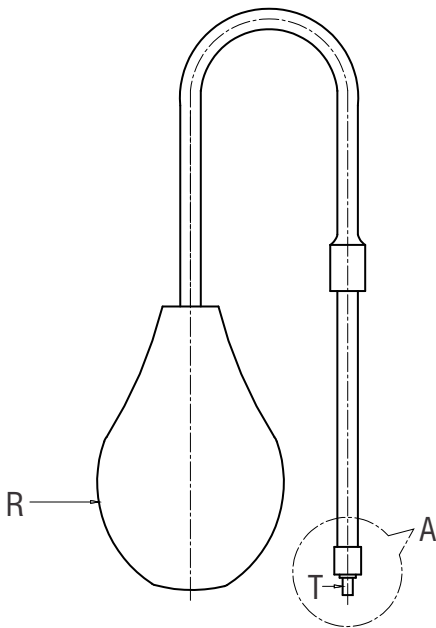
Operating Instructions

HOW TO EXTRACT THE POINTER

- Turn the Barrel (B) anti-clockwise to ensure that there is sufficient clearance between the foot (F) and the central pin (P) to accommodate the thickness of the pointer.
- Place the foot of the Point Puller under the fixed pointer of the Gauge.
- Gently screw the barrel clockwise until the central pin locates the pointer shaft, through the centre of the pointer.
- Continue to turn the barrel slowly until the pointer is removed.
- There are 3 models of the pointer Puller having three different diameters of the central pin (0.7 mm, 1 mm, 1.2 mm) to match the diameter of the pointer shaft. Use of an oversized model may damage the pointer, hence this provision.



POINTER PULLER



PNEUMATIC HAMMER

HOW TO FIX THE POINTER

Place the pointer in the desired position on the pointer shaft. Align the tip of the metal tube (T) of the pointer fixer with the centre of the pointer, hold it lightly and lift the rubber ball (R) and press it gently.

The resultant shock will tap the pointer back onto the Pointer shaft. The “tap” is easily controlled by operator by varying the pressure on the rubber ball.

