

Needle Valves Integral Bonnet Screwed Ends

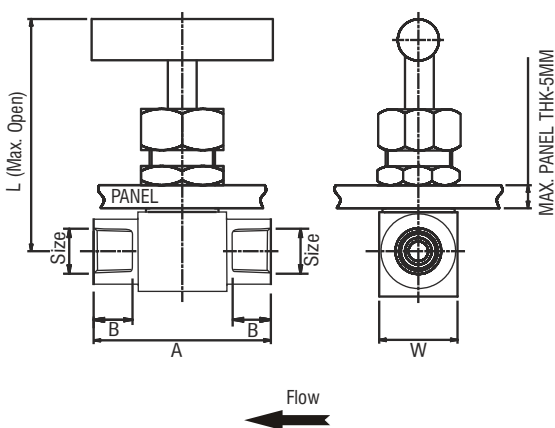


Model No. FNVN-IB

A compact needle type valve for isolation of lines, sampling, throttling & similar applications. The valve has screwed ends to be used with pipes & tubes for panel mounting. These needle valves are available with a variety of end connections and stem packing.



Description



Test Pressure	@ 25°C Room Temperature Hydrostatic : Body - 415 bar(g) Seat - 415 bar(g) Pneumatic : Seat - 7 bar(g)
Gland Packing	PTFE : Standard Graphoil : Temperatures above 200°C
Material	A105, A 479 304, A 479 316, A182 GR F 316, Monel, Hastelloy, Duplex
Finish	CS zinc plated. SS Natural

Connections

SIZE	A	B	W	L	PART No.
1/8" FNPT	50	11	22	65	G2 FNVN-IB-P
1/4" FNPT	50	14	22	65	G4 FNVN-IB-P
3/8" FNPT	50	14	24	53	G6 FNVN-IB-P
1/2" FNPT	65	19	28	88	G8 FNVN-IB-P
3/4" FNPT	65	19	36	88	G12 FNVN-IB-P
1" FNPT	84	25	45	102	G16 FNVN-IB-P

Note: Also available with BSP and BSP taper threads.

Note: Drawings, Dimensions and other information are subject to change without notice, as a part of our continues research and development.